



**25306-82**

-

• • , • •

• •

-

11 1982 . 2361

---

Первая страница стандар-  
та  
Под наименованием стан-  
дарта

Группа Г83

ОКП 38 2800

Группа Г22

ОКП 14 5100

Plane blades for plates shears.  
Basic and connecting dimensions.  
Technical requirements

25306-82

38 2800

11

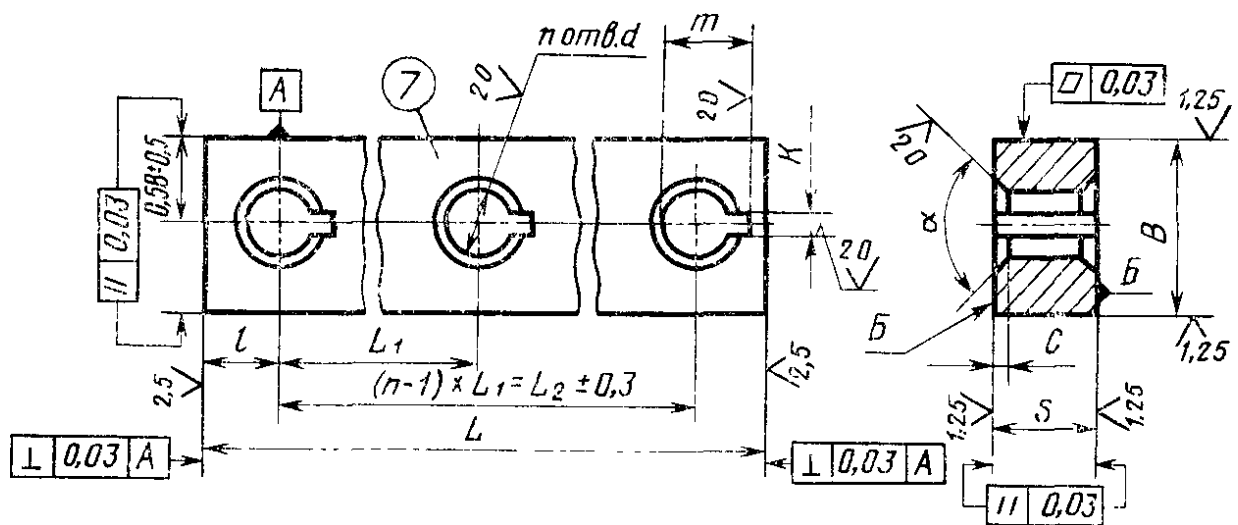
1982 . 2361

81.07 19631.

1.

^ (50 / \*12).

2.



| $S$<br>( $\pm 0,8$ ) | $\epsilon$<br>( $\pm 0,5$ ) | $L$<br>( $\pm 0,5$ ) | $l$<br>( $\pm 0,25$ ) | $\delta$<br>( $\pm 0,3$ ) | $d$<br>( $\pm 0,14$ ) | $m$<br>( $\pm 0,05$ ) | $\alpha$<br>( $\pm 0,2$ ) | $\beta$<br>( $\pm 0,1$ ) | $h$ | $\gamma$<br>( $\pm 2^\circ$ ) | $\tau$<br>( $\pm 0,1$ ) |
|----------------------|-----------------------------|----------------------|-----------------------|---------------------------|-----------------------|-----------------------|---------------------------|--------------------------|-----|-------------------------------|-------------------------|
| 16                   | 60                          | 540                  | 45                    | 150                       | 14                    | 20                    | 4,5                       | 7,5                      | 4   | 90°                           | 12                      |
|                      |                             | 750                  | 85                    |                           |                       |                       |                           |                          | 3   |                               |                         |
| 20                   | 75                          | 750                  | 85                    | 290                       | 18                    | 30                    | 5,5                       | 10,5                     | 4   | 60°                           | 16                      |
|                      |                             | 1080                 | 105                   |                           |                       |                       |                           |                          | 4   |                               |                         |
| 25                   | 100                         | 750                  | 85                    | 290                       | 22                    | 32                    | 5,5                       | 13,5                     | 3   | 90°                           | 20                      |
|                      |                             | 1080                 | 105                   |                           |                       |                       |                           |                          | 4   |                               |                         |
|                      |                             | 1250                 | 45                    |                           |                       |                       |                           |                          | 5   |                               |                         |
| 30                   | 125                         | 750                  | 85                    | 290                       | 26                    | 35                    | 6,5                       | 15                       | 3   | 90°                           | 25                      |
|                      |                             | 1080                 | 105                   |                           |                       |                       |                           |                          | 4   |                               |                         |
|                      |                             | 1250                 | 45                    |                           |                       |                       |                           |                          | 5   |                               |                         |
| 45                   | 165                         | 750                  | 85                    | 290                       | 26                    | 35                    | 6,5                       | 15                       | 3   | 90°                           | 40                      |
|                      |                             | 1080                 | 105                   |                           |                       |                       |                           |                          | 4   |                               |                         |
|                      |                             | 1250                 | 45                    |                           |                       |                       |                           |                          | 5   |                               |                         |

\*

5 = 16 ,  $\epsilon$  = 60 , L = 540 :

16X60X540 25306—82

L = 540  
 $\epsilon$  = 750 :

s=16 ,  $\epsilon$  = 60 ,  
5 = 16 ,  $\epsilon$  = 60 ,

2. 16x60x540. 1. 750 25306—82

3.  
6 2 6

5950—73.

5 2 ,

4. — HRC 54 ... 58.

5. — 0,1

100 .

6. 5 — 1.  
 — 0,03 . -  
 7. : -  
 , ( ) - ( , ) , -

. .  
 . .  
 . .

. 01.07.82 . . 02.08.82 0,375 . . 0,17 .- . . . 12000 3 .  
 « » , 123557, ., 6. . 817 ., 3  
 . « » .